

## ОПИСАНИЕ

- Часы-календарь, SMD LED технология, для установки в помещении
- Отображение: часы / минуты / день недели / дата
- Установленные или изменяющиеся данные на центральном дисплее: температура (датчик интегрирован в часы) секунты, день недели, номер недели, день недели, выбор из 14 языков
- Высота цифр - 7 см (буквы 5 см), расстояние разборчивости – 30 метров
- Angle of vision: 120°.
- LED colours: red, green, yellow, blue and white.
- Models: independent, impulse, wireless DCF, wireless DHF, AFNOR and NTP.



## STANDARDS

- EMC: - EN55032.  
- EN55024.
- LVD: EN60950.
- R&TTE (radio models): EN301-489-3.

## GENERAL FEATURES

- **Adjustable brightness**..... 4 levels.
- **Display mode**..... 12 or 24 hour.
- **Eco mode**..... Programmable energy saving or predefined over a time period.
- **Time change**..... Automatic summer/winter time changeover and perpetual calendar.
- **Time base backup**..... - Independent model: 15 days in case of power failure.  
- Impulse model: in case of power failure, data saving and impulses reception without battery.  
- Synchronised models: at each start the clocks wait for the synchronisation signal.
- **Time accuracy**..... 0.2 second/day (except NTP model: precision dependent on the time server).
- **Operation**..... Silent.
- **Digit**..... 7 segments with 4 LEDs each.
- **Hours and minutes separating**..... Colon made of LEDs.
- **Configuration**..... 2 capacitive buttons.
- **NTP model**..... - Synchronisation unicast, multicast and by DHCP.  
- Advanced configuration from the embedded web server.

See the product page  
>> [www.bodet-time.com](http://www.bodet-time.com) <<



## MECHANICAL FEATURES

- **Construction**..... PC/ABS black (IP30, IK02) and PPMA Poly (methyl methacrylate) cristal.
- **Operating temperature range**..... -5 to +55°C.
- **Weight**..... 0.965 Kg.
- **Dimensions**..... 320 x 320 x 73 mm (see on the back).

## ELECTRICAL FEATURES

- **Power supply**..... - Independent, impulse, AFNOR and wireless DHF models: 100-240VAC.  
- Wireless DCF model: 230VAC.  
- NTP model: PoE (Power over Ethernet) – class 0.
- **Consumption max**..... 7 W.
- **Electric protection (except NTP model)**..... Class 2.

## STYLE 7 DATE REFERENCES

- **946 61x**..... Independent model
- **946 62x**..... Impulse model
- **946 63x**..... DCF model
- **946 64x**..... DHF model
- **946 65x**..... AFNOR model
- **946 67x**..... NTP model
- **946 003**..... Mounting on hanging bracket
- **946 004**..... Wall mounting

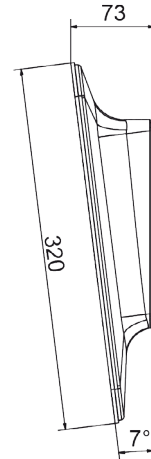
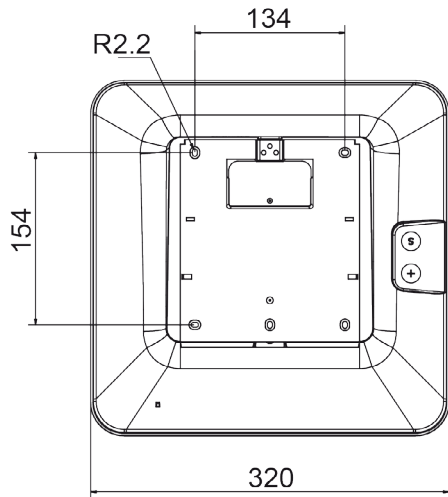


- **Specify the LED colour by replacing the "x" in the reference number by:** 1: red - 2: green - 3: yellow - 4: blue - 5: white



## WALL MOUNTING

Dimensions in mm



## MOUNTING ON HANGING BRACKET

- The hanging bracket makes it possible to hang the clock from the ceiling or from the wall.
- Construction: Steel.
- Colour: Black.

Dimensions in mm

